

PlybooSport is:

**Soybond Manufactured
FSC® and FloorScore® Certified
Formaldehyde Free**

- L.E.E.D. Contributions: MR6, MR7, IEQ4
- Average Hardness greater than Maple
- Consistent lighter color and 6' lengths
- Precision Milling, Fit, and Finish
- Exceeds visual rating of Grade 1 Maple
- Priced competitively to Grade 1 Maple
- ASTM, EN, FIBA, DIN Compliant
- 25 year warranty



Edge Grain, Natural
FL-V3472SFN-NAUF/FSC



Edge Grain, Amber
FL-V3472SFA-NAUF/FSC
(minimum order 2,500 sq. ft.)

Dimensions:

U.S. Standards/ Metric

3/4" x 2 1/4" x 72" (19mm x 57mm x 1829mm)

1 1/4 sq. ft./board (0.104 m²/board)

20 boards/box

22.5 sq. ft./box (2.09 m²/box)

Weight:

U.S. Standards/ Metric

2.53 lbs./sq. ft. (1.235 kg/m²)

2.85 lbs./board (1.29 kg/board)

57 lbs./box (25.9 kg/box)

50 boxes/pallets

2,930 lbs/pallet (1,329 kg/pallet)

L.E.E.D. Contributions

Manufacturer:

MRc4: Recycled Materials (Rubber Pad)

MRc6: Rapidly Renewable Materials

MRc7: FSC® Certified (SW-COC-003124)

IEQc4.3: Low-Emitting Materials

CA Section 01350 Compliant

FloorScore® Certified (SCS-FS-02130)

Installer Supplied:

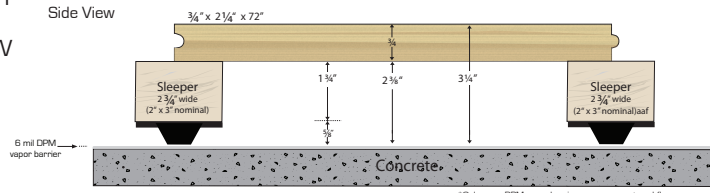
MRc7: FSC-Certified Subfloor Materials

IEQ 4.1, 4.2: Low-Emitting Materials

Floating Resilient Sleeper

PS-3.125-CP

- SOFT TOUCH-Y
- MULTI-USE-W
- PRO-B

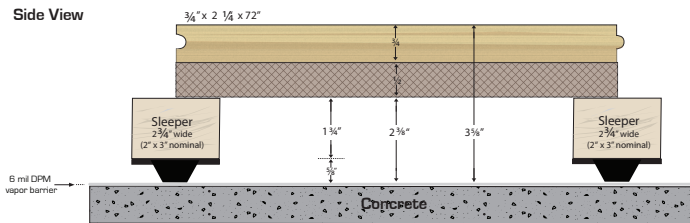


*Only use a DPM vapor barrier over a concrete subfloor

Floating Resilient Sleeper + Panel

PS-3.625-CP

- SOFT TOUCH-Y
- MULTI-USE-W
- PRO-B

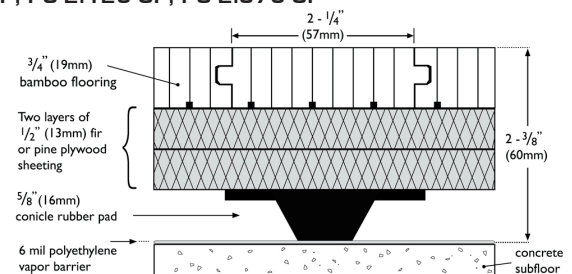


*Only use a DPM vapor barrier over a concrete subfloor

Floating Resilient Panel

PS-1.875CP, PS-1.937-CP, PS-2.125-CP, PS-2.375-CP

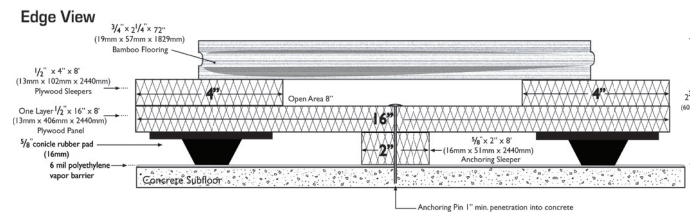
- SOFT TOUCH-Y
- MULTI-USE-W
- PRO-B



Fixed Resilient Anchored

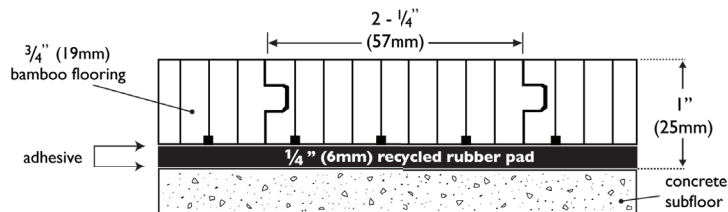
PS-2.125A-CP; PS-2.375A-CP

- SOFT TOUCH-Y
- MULTI-USE-W
- PRO-B



Fixed Resilient PlybooFIT

PF-3472-1.0





**BAMBOO
ATHLETIC
FLOORING**

LEAR@PLYBOOSPORT.COM

WWW.PLYBOOSPORT.COM

800.939.7397



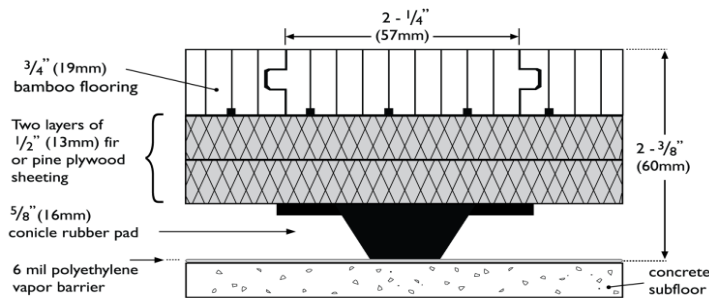
Natural
FL-V3472SFN-NAUF/FSC



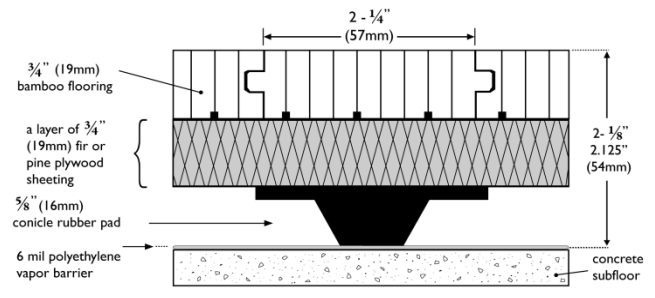
Amber (2,500 sq.ft. minimum)
FL-V3472SFA-NAUF/FSC

**PS-2.375-CP : Floating Resilient-panel
PS-2.125-CP : Floating Resilient-panel**

**End View Detail
PS-2.375-CP**



PS-2.125-CP



System Components :

		Profiles	
		3/4"	3/4"
top	Bamboo Sport Surface 3/4"x2 1/4"x72" (19mm x 57mm x 1829mm)	3/4"	3/4"
core	2 layers of 1/2" plywood subfloor	1"	
	2 layers of 3/8" plywood subfloor OR 1 layer of 3/4" plywood subfloor		3/4"
base	5/8" PlybooSport pads + vapor barrier	5/8"	5/8"
	T O T A L profile	2 3/8"	2 1/8"
		2.375-CP	2.125-CP

5/8" sports pad options	SoftTouch-Y 55 duro	Multi-W 65 duro	Pro-B 75 duro
-------------------------	------------------------	--------------------	------------------

System Description :

L.E.E.D. contributors	MRc7 : FSC bamboo-MRc7			
	MRc7 : FSC sub-floor-MRc7 (installer supplied)			
	MRc6 : Rapidly Renewal			
	IEQc4.3 : Low emitting materials (manufacturing)			
	IEQc4.1,4.2, 4.4 (installer supplied)			
	ID Innovation in Design + FloorScore certified			
Finishes (2)	Jobsite finished	Prefinished (INQUIRE)		
System Type	floating resilient			
Subfloor Construction	plywood panel with pad's			
System Profile Slab Depression	2 3/8" (2.375") (60mm)		2 1/8" (2.125") (54mm)	
Resilience	PlybooSport pads 5/8"	55 duro (SoftTouch-Y)	65 duro (Multi-W)	75 duro (Pro-B)
Industry Compliance	DIN,, EN, FIBA: Gymnasiums, (courts sports) Fitness, Exercise, Stage, Dance			
Environmental Certifications	FSC, LEED,	L.E.E.D	FloorScore	ISO 14001
Warranty	25 years			

PlybooSport : www.plyboosport.com : 800.939.7397 : lear@plyboosport.com

PlybooSport
06012011



**BAMBOO
ATHLETIC
FLOORING**

LEAR@PLYBOOSPORT.COM

WWW.PLYBOOSPORT.COM

800.939.7397



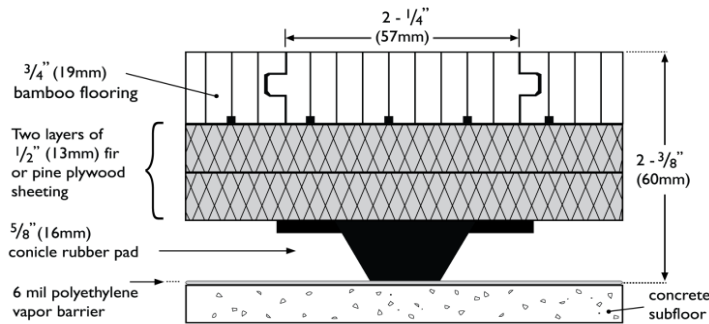
Natural
FL-V3472SFN-NAUF/FSC



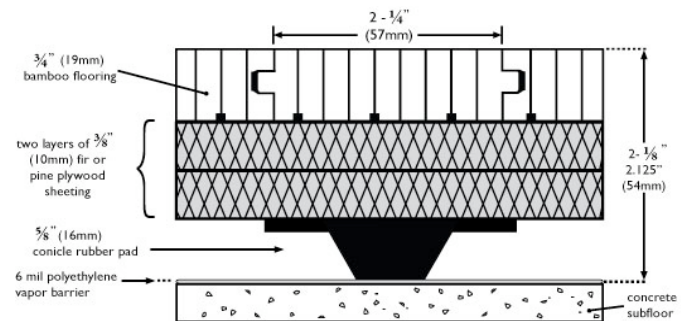
Amber (2,500 sq.ft. minimum)
FL-V3472SFA-NAUF/FSC

PS-2.125-CP : Floating Resilient-panel
PS-2.375-CP : Floating Resilient-panel

End View Detail
PS-2.375-CP



PS-2.125-CP



System Components :

System Components :		Profiles	
top	Bamboo Sport Surface 3/4"x2 1/4"x72" (19mm x 57mm x 1829mm)	3/4"	3/4"
core	2 layers of 1/2" plywood subfloor	1"	
	2 layers of 3/8" plywood subfloor OR 1 layer of 3/4" plywood subfloor		3/4"
base	5/8" PlybooSport pads + vapor barrier	5/8"	5/8"
	T O T A L profile	2 3/8"	2 1/8"
		2.375-CP	2.125-CP
5/8" sports pad options		SoftTouch-Y 55 duro	Multi-W 65 duro
			Pro-B 75 duro

System Description :

L.E.E.D. contributors	MRc7 : FSC bamboo-MRc7								
	MRc7 : FSC sub-floor-MRc7 (installer supplied)								
	MRc6 : Rapidly Renewal								
	IEQc4.3 : Low emitting materials (manufacturing)								
	IEQc4.1,4.2, 4.4 (installer supplied)								
	ID Innovation in Design + FloorScore certified								
Finishes (2)	Jobsite finished						Prefinished (INQUIRE)		
System Type	floating resilient								
Subfloor Construction	plywood panel with pad's								
System Profile Slab Depression	2 3/8" (2.375") (60mm)						2 1/8" (2.125") (54mm)		
Resilience	PlybooSport pads 5/8"			55 duro (SoftTouch-Y)			65 duro (Multi-W)		75 duro (Pro-B)
Industry Compliance	DIN	EN	FIBA		FITNESS	EXERCISE	STAGE	DANCE	Gymnasiums
Environmental Certifications	FSC, LEED,			L.E.E.D			FloorScore		ISO 14001
Warranty	25 years								

PlybooSport : www.plyboosport.com : 800.939.7397 : lear@plyboosport.com



**BAMBOO
ATHLETIC
FLOORING**
LEAR@PLYBOOSPORT.COM
WWW.PLYBOOSPORT.COM
800.939.7397



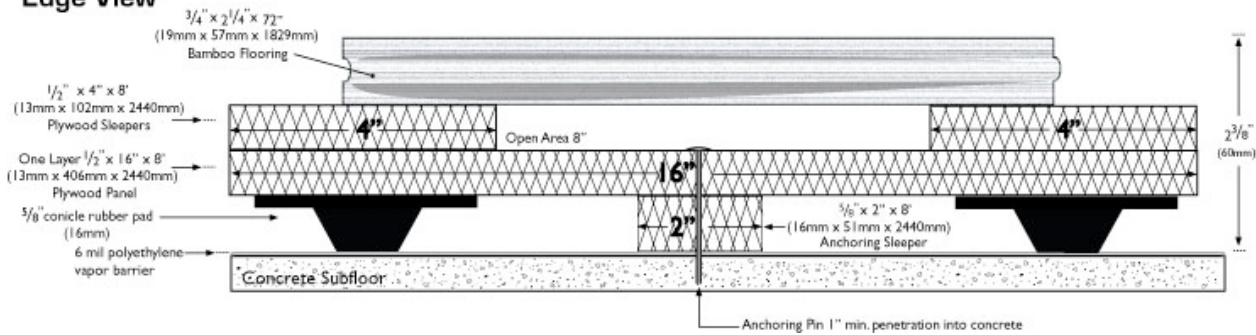
Natural
FL-V3472SFN-NAUF/FSC



Amber (2,500 sq.ft. minimum)
FL-V3472SFA-NAUF/FSC

PS-2.375A-CP (ANCHORED) : Fixed Resilient
PS-2.125A-CP (ANCHORED) : Fixed Resilient

Edge View



Systems Components :

Profiles

Systems Components	Profiles
Top PlybooSport - Bamboo Sport Surface 3/4"x3 3/4"x72" (19mm x 57mm x 1829mm)	3/4" 3/4"
core 1/2" plywood subfloor	1/2" 3/8"
1/2"x 3"x 48" or 96" plywood sleepers	1/2" 3/8"
base 5/8"x 3"x 48" or 96" anchoring sleeper + 5/8" PlybooSport pads + vapor barrier	5/8" 5/8"
T O T A L profile	2 3/8" 2 1/8"
	2.375A-CP 2.125A-CP

5/8" sports pad options	SoftTouch-Y 55 duro	Multi-W 65 duro	Pro-B 75 duro
-------------------------	------------------------	--------------------	------------------

System Description :

L.E.E.D. contributors	MRc7 : FSC bamboo-MRc7			
	MRc7 : FSC sub-floor-MRc7 (installer supplied)			
	MRc6 : Rapidly Renewal			
	IEQc4.3 : Low emitting materials (manufacturing)			
	IEQc4.1,4.2, 4.4 (installer supplied)			
	ID Innovation in Design + FloorScore certified			
	ISO 9001, 9002, 14001			
Colors (2)	Natural		Amber (2,500 sq.ft. order minimum for 3/4")	
Finishes (2)	Jobsite finished		Prefinished (inquire)	
System Type	Fixed/anchored resilient sleeper			
Subfloor Construction	Plywood sleepers + plywood panel subfloor + anchoring sleeper			
Resilience	PlybooSport pads 5/8"	55 duro (SoftTouch-Y)	65 duro (Multi-W)	75 duro (Pro-B)
System Profile Slab Depression	2 3/8" (2.375") (60mm)		2 1/8" (2.125") (54mm)	
Industry Compliance	DIN,, EN, FIBA: Gymnasiums (court sports), Fitness rooms, Exercise, Stage, Dance			
Environmental Certifications	FSC	L.E.E.D	FloorScore	ISO 14001
Warranty	25 years			

PlybooSport : www.plyboosport.com : 800.939.7397 : lear@plyboosport.com

PlybooSport
06012011



**BAMBOO
ATHLETIC
FLOORING**

LEAR@PLYBOOSPORT.COM

WWW.PLYBOOSPORT.COM

800.939.7397



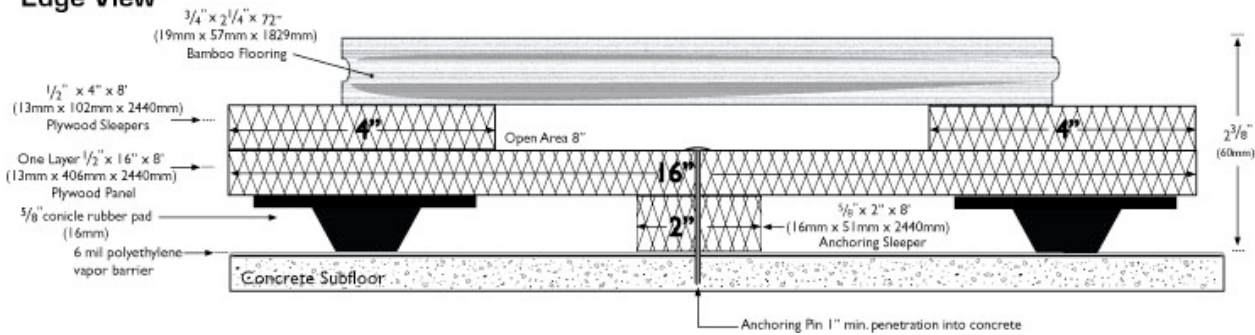
Natural
FL-V3472SFN-NAUF/FSC



Amber (2,500 sq.ft. minimum)
FL-V3472SFA-NAUF/FSC

PS-2.125A-CP (ANCHORED) : Fixed Resilient
PS-2.375A-CP (ANCHORED) : Fixed Resilient

Edge View



Systems Components :

Profiles

Systems Components	Profiles	
Top PlybooSport - Bamboo Sport Surface 3/4"x3 3/4"x72" (19mm x 57mm x 1829mm)	3/4"	3/4"
core 1/2" plywood subfloor	1/2"	3/8"
1/2"x 3"x 48" or 96" plywood sleepers	1/2"	3/8"
base 5/8"x 3"x 48" or 96" anchoring sleeper + 5/8" PlybooSport pads + vapor barrier	5/8"	5/8"
T O T A L profile	2 3/8"	2 1/8"
	2.375A-CP	2.125A-CP

5/8" sports pad options	SoftTouch-Y 55 duro	Multi-W 65 duro	Pro-B 75 duro
-------------------------	------------------------	--------------------	------------------

System Description :

L.E.E.D. contributors	MRc7 : FSC bamboo-MRc7			
	MRc7 : FSC sub-floor-MRc7 (installer supplied)			
	MRc6 : Rapidly Renewal			
	IEQc4.3 : Low emitting materials (manufacturing)			
	IEQc4.1,4.2, 4.4 (installer supplied)			
	ID Innovation in Design + FloorScore certified			
	ISO 9001, 9002, 14001			
Colors (2)	Natural		Amber (2,500 sq.ft. order minimum for 3/4")	
Finishes (2)	Jobsite finished		Prefinished (inquire)	
System Type	Fixed/anchored resilient sleeper			
Subfloor Construction	Plywood sleepers + plywood panel subfloor + anchoring sleeper			
Resilience	PlybooSport pads 5/8"	55 duro (SoftTouch-Y)	65 duro (Multi-W)	75 duro (Pro-B)
System Profile Slab Depression	2 3/8" (2.375") (60mm)		2 1/8" (2.125") (54mm)	
Industry Compliance	DIN,, EN, FIBA: Gymnasiums (court sports), Fitness rooms, Exercise, Stage, Dance			
Environmental Certifications	FSC	L.E.E.D	FloorScore	ISO 14001
Warranty	25 years			

PlybooSport : www.plyboosport.com : 800.939.7397 : lear@plyboosport.com

PlybooSport
06012011



**BAMBOO
ATHLETIC
FLOORING**
LEAR@PLYBOOSPORT.COM
WWW.PLYBOOSPORT.COM
800.939.7397



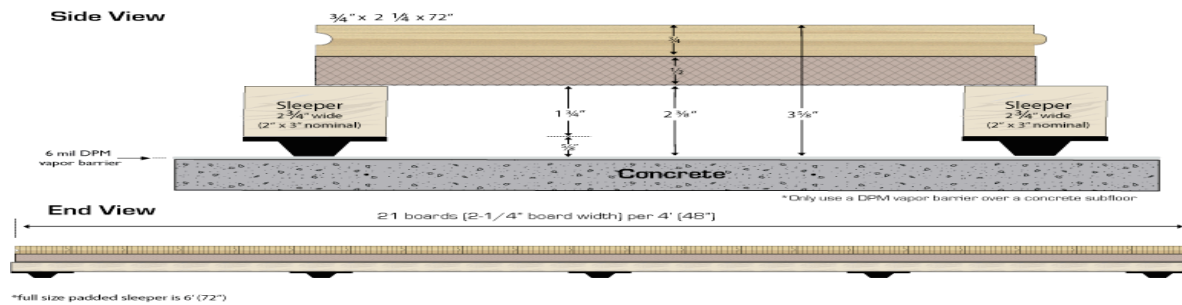
Natural
FL-V3472SFN-NAUF/FSC



Amber (2,500 sq.ft. minimum)
FL-V3472SFA-NAUF/FSC

PS-3.625-CP-Floating Resilient Sleeper+Panel

End View Detail



System Components :

System Components :		Profile		
top	PlybooSport- Bamboo Sport Surface 3/4"x2 1/4"x72" (19mm x 57mm x 1829mm)	3/4"	0.750"	19mm
core	1 layer of 1/2" plywood subfloor	1/2"	0.500"	13mm
base	2"x3"(nominal) x Sleeper with 5/8" conical sport pad + 6mil vapor barrier	2 3/8"	2.375"	61mm
T O T A L profile		3 5/8"	3.625"	92mm

5/8" sports pad options	SoftTouch-Y 55 duro	Multi-W 65 duro	Pro-B 75 duro
-------------------------	------------------------	--------------------	------------------

System Description :

L.E.E.D. contributors	MRc7 : FSC bamboo-MRc7									
	MRc7 : FSC sub-floor-MRc7 (installer supplied)									
	MRc6 : Rapidly Renewal									
	IEQc4.3 : Low emitting materials (manufacturing)									
	IEQc4.1,4.2, 4.4 (installer supplied)									
ID Innovation in Design + FloorScore certified										
Colors (2)	Natural Edge grain FL-V3472SFN-NAUF/FSC					Amber Edge grain (2,500 sq.ft. order minimum) FL-V3472SFA-NAUF/FSC				
Finishes (2)	Jobsite finished					Prefinished (inquire)				
System Type	floating resilient									
Subfloor Construction	Sleeper with pad's									
Resilience	PlybooSport pads 5/8"		55 duro (SoftTouch-Y)			65 duro (Multi-W)		75 duro (Pro-B)		
System Profile Slab Depression	3 5/8"			3.625"			92mm			
Industry Compliance	DIN	EN	FIBA		FITNESS	EXERCISE	STAGE	DANCE	Gymnasiums	
Environmental Certifications	FSC			L.E.E.D			FloorScore		ISO 14001	
Warranty	25 years									

PlybooSport : www.plyboosport.com : 800.939.7397 : lear@plyboosport.com



**BAMBOO
ATHLETIC
FLOORING**

LEAR@PLYBOOSPORT.COM
WWW.PLYBOOSPORT.COM
800.939.7397



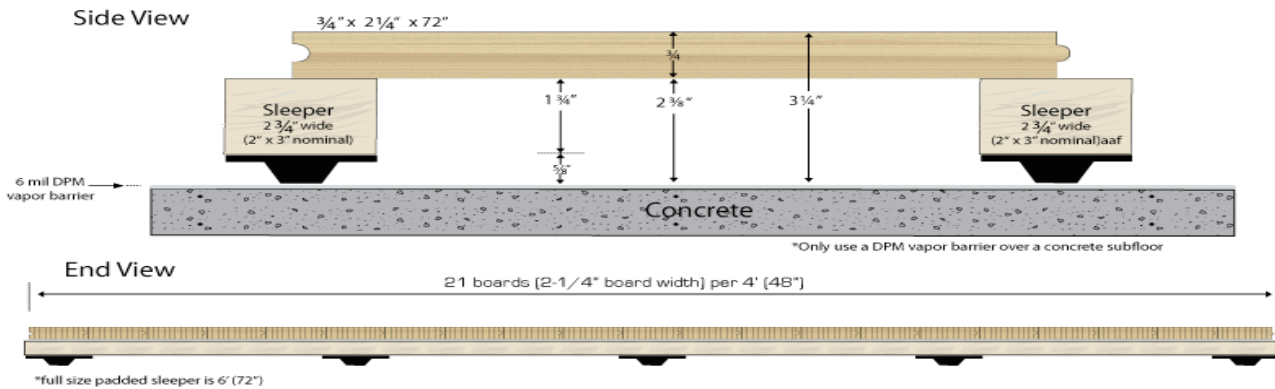
Natural
FL-V3472SFN-NAUF/FSC



Amber (2,500 sq.ft. minimum)
FL-V3472SFA-NAUF/FSC

PS-3.125-CP-sleeper

End View Detail



System Components :

System Components :		Profile		
top	PlybooSport- Bamboo Sport Surface 3/4"x2 1/4"x72" (19mm x 57mm x 1829mm)	3/4"	0.750"	19mm
base	2"x3"(nominal) x Sleeper with 5/8" conical sport pad + 6mil vapor barrier	2 3/8"	2.375"	61mm
TOTAL profile		3 1/8"	3.125"	79mm

5/8" sports pad options	SoftTouch-Y 55 duro	Multi-W 65 duro	Pro-B 75 duro
-------------------------	------------------------	--------------------	------------------

System Description :

L.E.E.D. contributors	MRc7 : FSC bamboo-MRc7									
	MRc7 : FSC sub-floor-MRc7 (installer supplied)									
	MRc6 : Rapidly Renewal									
	IEQc4.3 : Low emitting materials (manufacturing)									
	IEQc4.1,4.2, 4.4 (installer supplied)									
ID Innovation in Design + FloorScore certified										
Colors (2)	Natural Edge grain FL-V3472SFN-NAUF/FSC					Amber Edge grain (2,500 sq.ft. order minimum) FL-V3472SFA-NAUF/FSC				
Finishes (2)	Jobsite finished					Prefinished (inquire)				
System Type	floating resilient									
Subfloor Construction	Sleeper with pad's									
Resilience	PlybooSport pads 5/8"		55 duro (SoftTouch-Y)			65 duro (Multi-W)			75 duro (Pro-B)	
System Profile Slab Depression	3 1/8"			3.125"			79mm			
Industry Compliance	DIN	EN	FIBA		FITNESS	EXERCISE	STAGE	DANCE	Gymnasiums	
Environmental Certifications	FSC			L.E.E.D			FloorScore		ISO 14001	
Warranty	25 years									



Natural

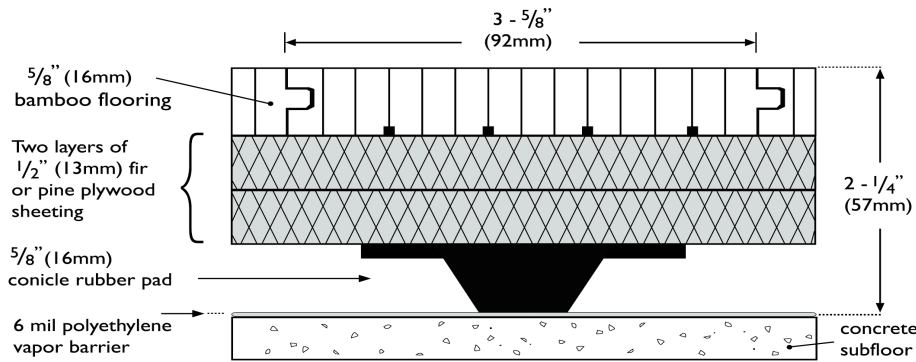


Amber



PlybooSport : Bamboo5872-2.250-CP : FITNESS-Y
 PlybooSport : Bamboo5872-2.250-CP : MULTI-COURT-W
 PlybooSport : Bamboo5872-2.250-CP : PRO-B

End View Detail



System Components :

System Components :		Profile		
top	Bamboo Sport Surface 5/8"x3 3/4"x72" (16mm x 92mm x 1829mm)	0.625"	5/8"	16mm
core	2 layers of 1/2" plywood subfloor	1.00"	1"	25mm
base	5/8" PlybooSport pads + 6mil vapor barrier	0.625"	5/8"	16mm
T O T A L profile		2.250"	2 1/4"	57mm

System Description :

L.E.E.D. contributors	MRc7 : FSC bamboo-MRc7			
	MRc7 : FSC sub-floor-MRc7 (installer supplied)			
	MRc6 : Rapidly Renewal			
	IEQc4.3 : Low emitting materials (manufacturing)			
	IEQc4.1,4.2, 4.4 (installer supplied)			
	ID Innovation in Design + FloorScore certified			
ISO 9001, 9002, 14001				
Colors (2)	Natural		Amber	
Finishes (2)	Jobsite finished		Prefinished	
System Type	floating resilient			
Subfloor Construction	padded plywood			
Resilience	PlybooSport pads	55 duro (fitness:F-Y)	65 duro (court sports : M-W)	75 duro (court sports : P-B)
System Profile Slab Depression	2 1/4"		2.250"	
Industry Compliance	DIN,, EN, FIBA: Gymnasiums, (courts sports) Fitness, Exercise, Stage, Dance			
Environmental Certifications	FSC, LEED,	L.E.E.D	FloorScore	ISP 14001
Warranty	25 years			



Natural

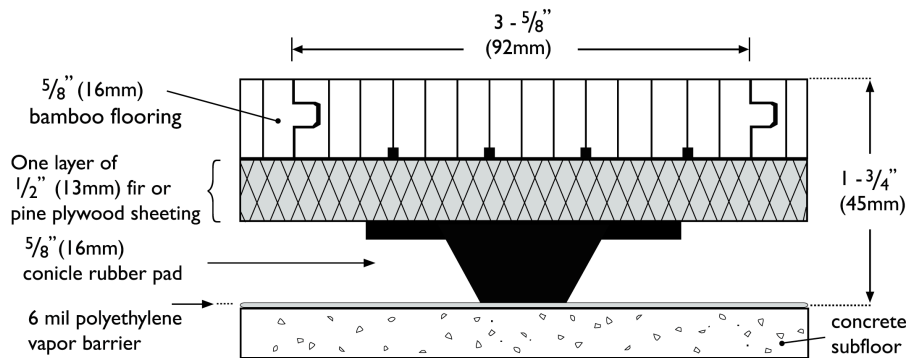


Amber



PlybooSport : Bamboo5872-2.0-CP : FITNESS-Y
PlybooSport : Bamboo5872-2.0-CP : MULTI-COURT-W
PlybooSport : Bamboo5872-2.0-CP : PRO-B

End View Detail



System Components :

System Components :		Profile		
top	Bamboo Sport Surface 5/8"x3 3/4"x72" (16mm x 92mm x 1829mm)	0.625"	5/8"	16mm
core	1 layers of plywood subfloor	0.750"	3/4"	19mm
base	5/8" PlybooSport pads + 6mil vapor barrier	0.625"	5/8"	16mm
TOTAL profile		2.0"	2"	51mm

System Description :

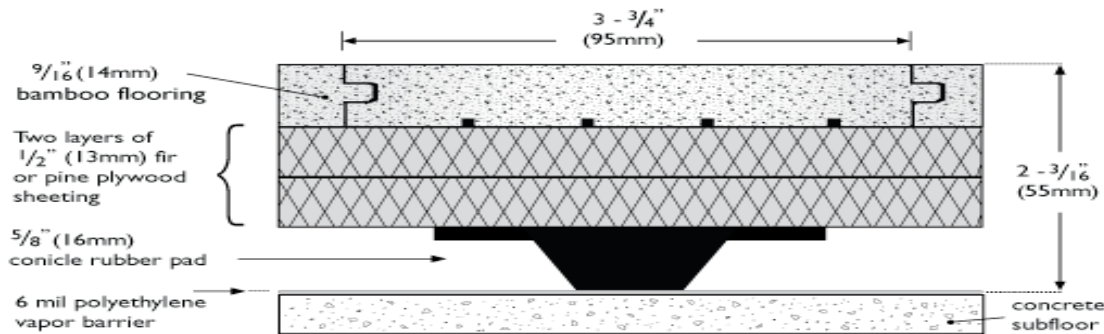
L.E.E.D. contributors	MRc7 : FSC bamboo-MRc7			
	MRc7 : FSC sub-floor-MRc7 (installer supplied)			
	MRc6 : Rapidly Renewal			
	IEQc4.3 : Low emitting materials (manufacturing)			
	IEQc4.1,4.2, 4.4 (installer supplied)			
	ID Innovation in Design + FloorScore certified ISO 9001, 9002, 14001			
Colors (2)	Natural		Amber	
Finishes (2)	Jobsite finished		Prefinished	
System Type	floating resilient			
Subfloor Construction	padded plywood			
Resilience	PlybooSport pads	55 duro (fitness:F-Y)	65 duro (court sports : M-W)	75 duro (court sports : P-B)
System Profile Slab Depression	2"	2.0"		51mm
Industry Compliance	DIN,, EN, FIBA: Gymnasiums, (courts sports) Fitness, Exercise, Stage, Dance			
Environmental Certifications	FSC, LEED,		L.E.E.D	FloorScore
Warranty	25 years			

PlybooSport : www.plyboosport.com : 800.939.7397 : lear@plyboosport.com



PS-StrandSport-2.187-CP : FITNESS-Y | MULTICOURT-W | PRO-B
 PS-StrandSport-2.0-CP : FITNESS-Y | MULTICOURT-W | PRO-B

End View Detail



System Components :		Profiles	
top	Bamboo StrandSport Surface 9/16"x3 3/4"x72" (15mm x 95mm x 1829mm) OR 3/8" X 3 3/4" X 36" (10mm x 95mm x 915mm)	3/8"	9/16"
core	2 layers of 1/2" plywood subfloor	1"	1"
base	5/8" PlybooSport pads + vapor barrier	5/8"	5/8"
T O T A L profile		2"	2 13/16"

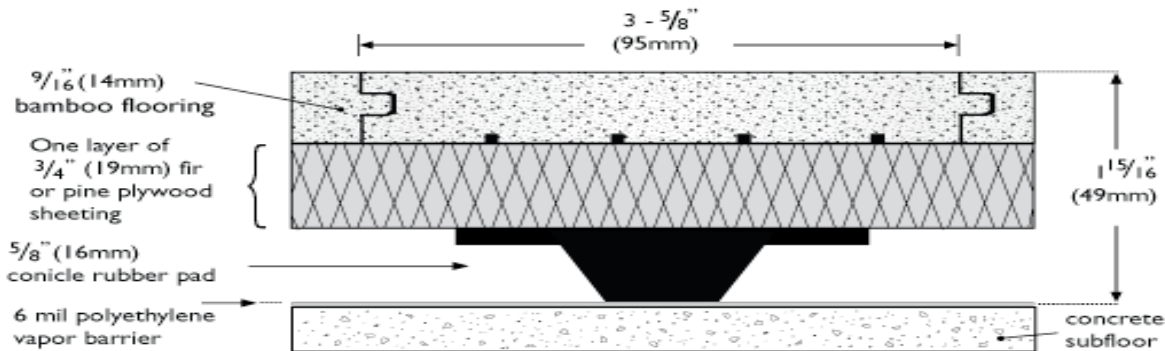
System Description :

L.E.E.D. contributors	MRc7 : FSC bamboo-MRc7			
	MRc7 : FSC sub-floor-MRc7 (installer supplied)			
	MRc6 : Rapidly Renewal			
	IEQc4.3 : Low emitting materials (manufacturing)			
	IEQc4.1,4.2, 4.4 (installer supplied)			
	ID Innovation in Design + FloorScore certified			
ISO 9001, 9002, 14001				
Colors (3)	Sahara	Havana	Neopolitan	
Finishes (2)	Jobsite finished		Prefinished	
Plank Dimensions (2)	3/8" x 3 3/4" x 36"		9/16" x 3 3/4" x 72"	
System Type	floating resilient			
Subfloor Construction	padded plywood			
Resilience	PlybooSport pads	55 duro (fitness:F-Y)	65 duro (court sports : M-W)	75 duro (court sports : P-B)
System Profile Slab Depression	2 13/16" (using 9/16" x 3 3/4" x 72" planks)		2" (using 3/8" x 3 3/4" x 36" planks)	
Industry Compliance	DIN,, EN, FIBA: Gymnasiums, (courts sports) Fitness, Exercise, Stage, Dance			
Environmental Certifications	FSC, LEED,	L.E.E.D	FloorScore	ISO 14001
Warranty	25 years			



PS-StrandSport-1.937-CP : FITNESS-Y
 PS-StrandSport-1.937-CP : MULTI-COURT-W
 PS-StrandSport-1.937-CP : PRO-B

End View Detail



System Components :

		Profile		
top	Bamboo StrandSport Surface 9/16"x3 3/4"x72" (15mm x 95mm x 1829mm)	0.562"	9/16"	14mm
core	1 layer of 3/4" plywood subfloor	0.750"	3/4"	19mm
base	5/8" PlybooSport pads + vapor barrier	0.625"	5/8"	16mm
T O T A L profile		1.937"	1 15/16"	49mm

System Description :

L.E.E.D. contributors	MRc7 : FSC bamboo-MRc7			
	MRc7 : FSC sub-floor-MRc7 (installer supplied)			
	MRc6 : Rapidly Renewal			
	IEQc4.3 : Low emitting materials (manufacturing)			
	IEQc4.1,4.2, 4.4 (installer supplied)			
	ID Innovation in Design + FloorScore certified			
	ISO 9001, 9002, 14001			
Colors (3)	Sahara	Havana	Neopolitan	
Finishes (2)	Jobsite finished		Prefinished	
System Type	floating resilient			
Subfloor Construction	padded plywood			
Resilience	PlybooSport pads	55 duro (fitness:F-Y)	65 duro (court sports : M-W)	75 duro (court sports : P-B)
System Profile Slab Depression	1 15/16"		1.937" 49mm	
Industry Compliance	DIN,, EN, FIBA: Gymnasiums, (courts sports) Fitness, Exercise, Stage, Dance			
Environmental Certifications	FSC, LEED,	L.E.E.D	FloorScore	ISO 14001
Warranty	25 years			



Natural

FL-V3472SFN-NAUF/FSC

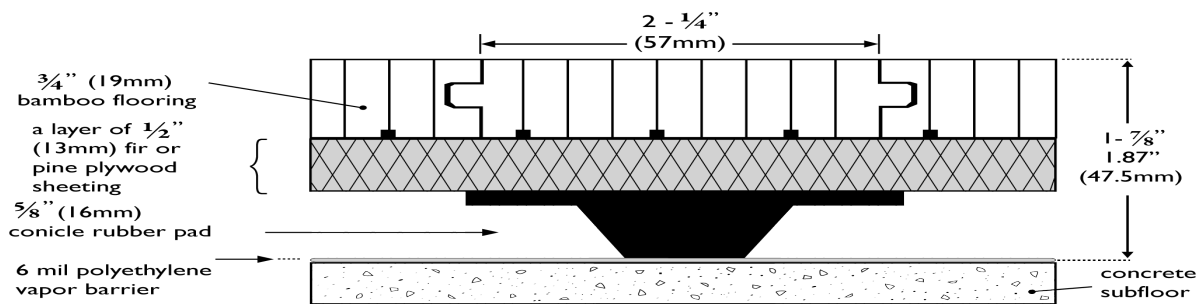


Amber (2,500 sq.ft. minimum)

FL-V3472SFA-NAUF/FSC

PS-1.875-CP

End View Detail



System Components :

System Components :		Profile		
top	Bamboo Sport Surface 3/4"x2 1/4"x72" (19mm x 57mm x 1828mm)	0.750"	3/4"	19mm
core	1 layer of 1/2" plywood subfloor	0.500"	1/2"	13mm
base	5/8" PlybooSport pads + vapor barrier	0.625"	5/8"	16mm
T O T A L profile		1.875"	1 7/8"	48mm
5/8" sports pad options		SoftTouch-Y 55 duro	Multi-W 65 duro	Pro-B 75 duro

System Description :

L.E.E.D. contributors	MRc7 : FSC bamboo-MRc7			
	MRc7 : FSC sub-floor-MRc7 (installer supplied)			
	MRc6 : Rapidly Renewal			
	IEQc4.3 : Low emitting materials (manufacturing)			
	IEQc4.1,4.2, 4.4 (installer supplied)			
	ID Innovation in Design + FloorScore certified			
ISO 9001, 9002, 14001				
Colors (2)	Natural Edge grain FL-V3472SFN-NAUF/FSC		Amber Edge grain (2,500 sq.ft. order minimum) FL-V3472SFA-NAUF/FSC	
Finishes (2)	Jobsite finished		Prefinished (inquire)	
System Type	floating resilient			
Subfloor Construction	padded plywood			
Resilience	PlybooSport pads 5/8"	55 duro (SoftTouch-Y)	65 duro (Multi-W)	75 duro (Pro-B)
System Profile Slab Depression	1 7/8"		1.875" 48mm	
Industry Compliance	DIN,, EN, FIBA: Gymnasiums (court sports), Fitness, Exercise, Stage, Dance			
Environmental Certifications	FSC	L.E.E.D	FloorScore	ISO14001
Warranty	25 years			

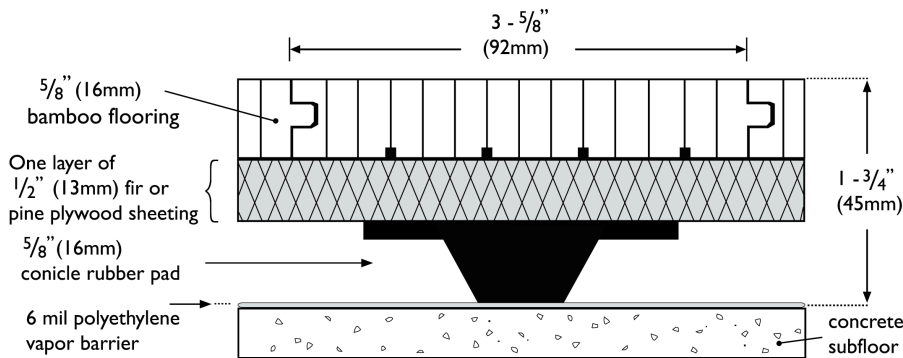
PlybooSport : www.plyboosport.com : 800.939.7397 : lear@plyboosport.com

PlybooSport
06012011



PlybooSport : Bamboo5872-1.75-CP : FITNESS-Y
PlybooSport : Bamboo5872-1.75-CP : MULTI-COURT-W
PlybooSport : Bamboo5872-1.75-CP : PRO-B

End View Detail



System Components :

		Profile		
top	Bamboo Sport Surface 5/8"x3 3/4"x72" (16mm x 92mm x 1829mm)	0.625"	5/8"	16mm
core	1 layers of plywood subfloor	0.500"	1/2"	13mm
base	5/8" PlybooSport pads + 6mil vapor barrier	0.625"	5/8"	16mm
T O T A L profile		1.75"	1 3/4"	45mm

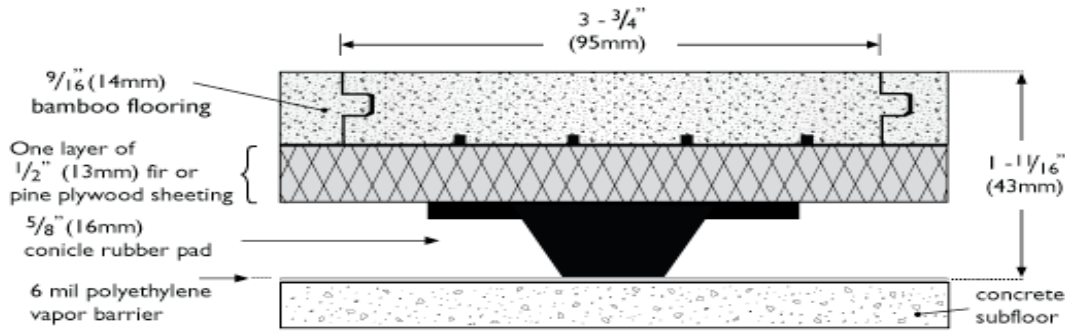
System Description :

L.E.E.D. contributors	MRc7 : FSC bamboo-MRc7			
	MRc7 : FSC sub-floor-MRc7 (installer supplied)			
	MRc6 : Rapidly Renewal			
	IEQc4.3 : Low emitting materials (manufacturing)			
	IEQc4.1,4.2, 4.4 (installer supplied)			
	ID Innovation in Design + FloorScore certified			
ISO 9001, 9002, 14001				
Colors (2)	Natural		Amber	
Finishes (2)	Jobsite finished		Prefinished	
System Type	floating resilient			
Subfloor Construction	padded plywood			
Resilience	PlybooSport pads	55 duro (fitness:F-Y)	65 duro (court sports : M-W)	75 duro (court sports : P-B)
System Profile Slab Depression	1 3/4"	1.75"		45mm
Industry Compliance	DIN,, EN, FIBA: Gymnasiums, (courts sports) Fitness, Exercise, Stage, Dance			
Environmental Certifications	FSC, LEED, L.E.E.D		FloorScore	ISP 14001
Warranty	25 years			



PS-StrandSport-1.687-CP : FITNESS-Y
 PS-StrandSport-1.687-CP : MULTI-COURT-W
 PS-StrandSport-1.687-CP : PRO-B

End View Detail



System Components :

		Profile		
top	Bamboo StrandSport Surface 9/16"x3 3/4"x72" (15mm x 95mm x 1829mm)	0.562"	9/16"	14mm
core	1 layer of 1/2" plywood subfloor	0.500"	1/2"	25mm
base	5/8" PlybooSport pads + vapor barrier	0.625"	5/8"	16mm
T O T A L profile		1.687"	1 11/16"	43mm

System Description :

L.E.E.D. contributors	MRc7 : FSC bamboo-MRc7			
	MRc7 : FSC sub-floor-MRc7 (installer supplied)			
	MRc6 : Rapidly Renewal			
	IEQc4.3 : Low emitting materials (manufacturing)			
	IEQc4.1,4.2, 4.4 (installer supplied)			
	ID Innovation in Design + FloorScore certified			
ISO 9001, 9002, 14001				
Colors (2)	Sahara	Havana	Neopolitan	
Finishes (2)	Jobsite finished		Prefinished	
System Type	floating resilient			
Subfloor Construction	padded plywood			
Resilience	PlybooSport pads	55 duro (fitness:F-Y)	65 duro (court sports : M-W)	75 duro (court sports : P-B)
System Profile Slab Depression	1 11/16"		43mm	
Industry Compliance	DIN,, EN, FIBA: Gymnasiums, (courts sports) Fitness, Exercise, Stage, Dance			
Environmental Certifications	FSC, LEED,	L.E.E.D	FloorScore	ISO 14001
Warranty	25 years			

plybooFIT™



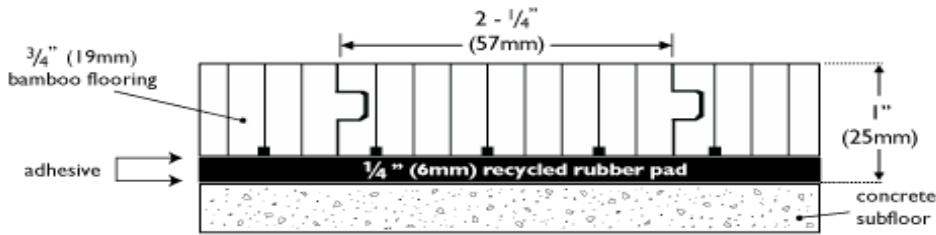
Natural Edge Grain
FL-V3472SFN-NAUF/FSC



Amber Edge Grain (2,500 sq.ft. minimum)
FL-V3472SFA-NAUF/FSC

PlybooFIT ; PF-25 (part of the PlybooSport series)

End View Detail



Top View Detail



System Components :

System Components :		Profile		
top	Bamboo Sport Surface 3/4"x2 1/4"x72" (19mm x 95mm x 1829mm)	0.750"	3/4"	19mm
base	1 layer of 1/4" PlybooFit sports padding (93% post consumer content recycled rubber)	0.250"	1/4"	6mm
T O T A L profile		1.00"	1"	25mm

System Description :

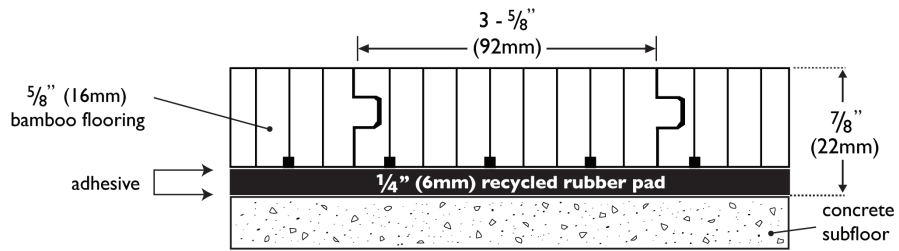
L.E.E.D. contributors	MRc7 : Certified Wood : 100% FSC Bamboo				
	MRc6 : Rapidly Renewable Resource : (5 year forest replenishment + harvest)				
	MRc4 : (recycled content : 100% post consumer content recycled rubber padding)				
	IEQc4.3 : SoyBond Formaldehyde Free materials : (manufacturing) Floor Score certified				
	IEQc4.1,4.2, 4.4 : Low emitting materials : installer supplied)				
ID Innovation in Design +					
Colors (2)	Natural Edge grain FL-V3472-SFN-NAUF/FSC pre-sand 180grit FL-V3472-SFN-prefinished (inquire)		Amber Edge grain (2,500 sq.ft.order minimum) FL-V3472-SFA-NAUF/FSC pre-sand 180 grit FL-V3472-SFA-prefinished (inquire)		
Finishes (2)	Jobsite finished		Prefinished : (inquire)		
System Type	Fixed resilient				
Subfloor Construction	PlybooFIT - sports padding (93% post consumer content recycled rubber)				
Resilience	PlybooFIT- sports padding – 45 duro – product # PFR45B				
System Profile Slab Depression	1 "	1.0"		25mm	
Sound Impact Insulation	IIC rating = 54 (over 6" concrete).			IIC rating = 58 (over 6" concrete/6" fiberglass)	
Industry Compliance	Fitness	Exercise	Yoga	Stage	Dance
Environmental Certifications	FSC, LEED		L.E.E.D		FloorScore
Warranty	25 years				

PlybooSport : www.plyboosport.com : 800.939.7397 : lear@plyboosport.com

PlybooFit™ PF-22

FSC® Certified
FloorScore® Certified
Formaldehyde Free

- 1/4" Impact Cushioning, Noise Reducing Pad
- L.E.E.D. Contributions: MR4, MR6, MR7, IEQ4
- Average Hardness greater than Maple
- Greater Dimensional Stability than Maple
- Precision Milling, Fit, and Finish
- 6' Lengths
- 25 year warranty
- Soybond Formaldehyde Free Manufactured Flooring



Plank Dimensions: 5/8" x 3 5/8" x 72"



Edge Grain, Amber
FL-V5872PA-NAUF/FSC (Pre-finished)
FL-V5872UA-NAUF/FSC (Unfinished)



Flat Grain, Amber
FL-5872PA-NAUF/FSC (Pre-finished)
FL-5872UA-NAUF/FSC (Unfinished)



Edge Grain, Natural
FL-V5872PN-NAUF/FSC (Pre-finished)
FL-V5872UN-NAUF/FSC (Unfinished)



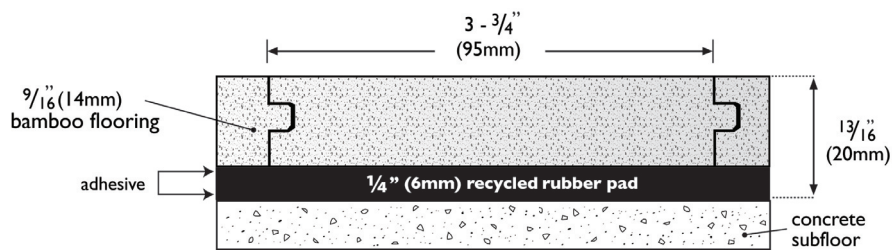
Flat Grain, Natural
FL-5872PN-NAUF/FSC (Pre-finished)
FL-5872UN-NAUF/FSC (Unfinished)



PlybooFit™ Strand PF-20

FSC® Certified
FloorScore® Certified
Urea Formaldehyde Free

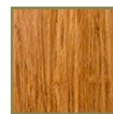
- 1/4" Impact Cushioning, Noise Reducing Pad
- L.E.E.D. Contributions: MR4, MR6, MR7, IEQ4
- Average Hardness greater than Maple
- Greater Dimensional Stability than Maple
- Precision Milling, Fit, and Finish
- 6' Lengths
- 25 year warranty
- PlybooPure, No Added Urea-Formaldehyde



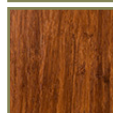
Plank Dimensions: 9/16" x 3 3/4" x 72"



Neopolitan
Inquire for Pre-finished
FL-P5872UNEO-NAUF/FSC (Unfinished)



PlybooStrand Sahara
FL-P5872PH-NAUF/FSC (Pre-finished)
FL-P5872UH-NAUF/FSC (Unfinished)



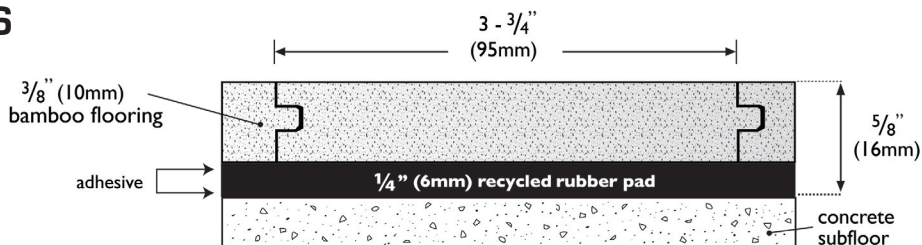
PlybooStrand Havana
FL-P5872PD-NAUF/FSC (Pre-finished)
FL-P5872UD-NAUF/FSC (Unfinished)



PlybooFit™ Strand PF-16

FSC® Certified
FloorScore® Certified
Urea Formaldehyde Free

- 1/4" Impact Cushioning, Noise Reducing Pad
- L.E.E.D. Contributions: MR4, MR6, MR7, IEQ4
- Average Hardness greater than Maple
- Greater Dimensional Stability than Maple
- Precision Milling, Fit, and Finish
- 3' Lengths
- 25 year warranty
- PlybooPure, No Added Urea-Formaldehyde



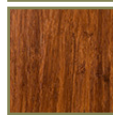
Plank Dimensions: 3/8" x 3 3/4" x 36"



Neopolitan
FL-P3836NEO-NAUF/FSC (Pre-finished)



PlybooStrand Sahara
FL-P3836PH-NAUF/FSC (Pre-finished)



PlybooStrand Havana
FL-P3836PD-NAUF/FSC (Pre-Finished)



Bamboo Athletic Flooring

- Premium Grade color and grain only
- Greater dimensional stability than traditional Beech or Maple
- Average hardness greater than Beech or Maple
- Edge Grain orientation for superior board strength and 6' lengths
- Engineered for performance and longevity
- USGBC credit contribution for LEED MR4, MR6, MR7, and IEQ 4.1, 4.2, 4.3
- ALL standard sportsfloor finish and maintenance techniques apply
- DIN; EN; FIBA; ASTM Compliant
- FloorScore[®] and FSC[®] Certified
- 25 Year Warranty



FL-V3472SFN
 3/4" x 2 1/4" x 72"
 Natural Unfinished Edge Grain
 Formaldehyde Free

PlybooSport is:

FSC® and FloorScore® Certified Formaldehyde Free

- L.E.E.D. Contributions: MR6, MR7, IEQ4
- Average Hardness greater than Maple
- Consistent lighter color and 6' lengths
- Precision Milling, Fit, and Finish
- Exceeds visual rating of Grade 1 Maple
- Priced competitively to Grade 1 Maple
- ASTM, EN, FIBA, DIN Compliant
- 25 year warranty



Edge Grain, Natural
FL-V3472SFN-NAUF/FSC



Edge Grain, Amber
FL-V3472SFA-NAUF/FSC
(minimum order 2,500 sq. ft.)

Dimensions:

U.S. Standards/ Metric

3/4" x 2 1/4" x 72" (19mm x 57mm x 1829mm)

1 1/4 sq. ft./board (0.104 m²/board)

20 boards/box

22.5 sq. ft./box (2.09 m²/box)

Weight:

U.S. Standards/ Metric

2.53 lbs/sq. ft. (1.235 kg/m²)

2.85 lbs/board (1.29 kg/board)

57 lbs/box (25.9 kg/box)

50 boxes/pallets

2,930 lbs/pallet (1,329 kg/pallet)

L.E.E.D. Contributions

Manufacturer:

MRc4: Recycled Materials (Rubber Pad)

MRc6: Rapidly Renewable Materials

MRc7: FSC® Certified (SW-COC-003124)

IEQc4.3: Low-Emitting Materials

CA Section 01350 Compliant

FloorScore® Certified (SCS-FS-02130)

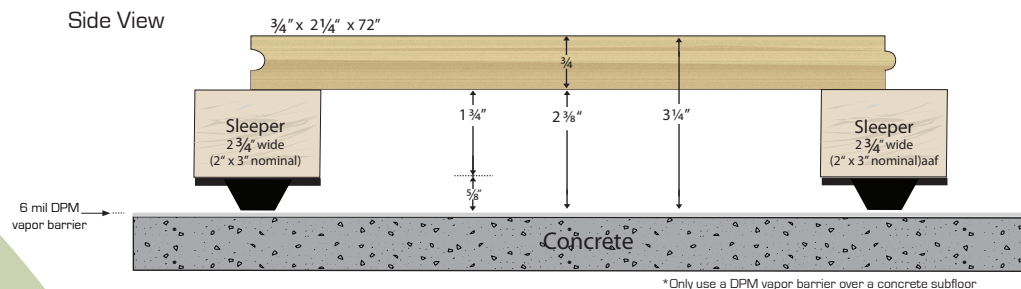
Installer Supplied:

MRc7: FSC-Certified Subfloor Materials

IEQ 4.1, 4.2: Low-Emitting Materials

**Floating Resilient Sleeper
PS-3.125-CP**

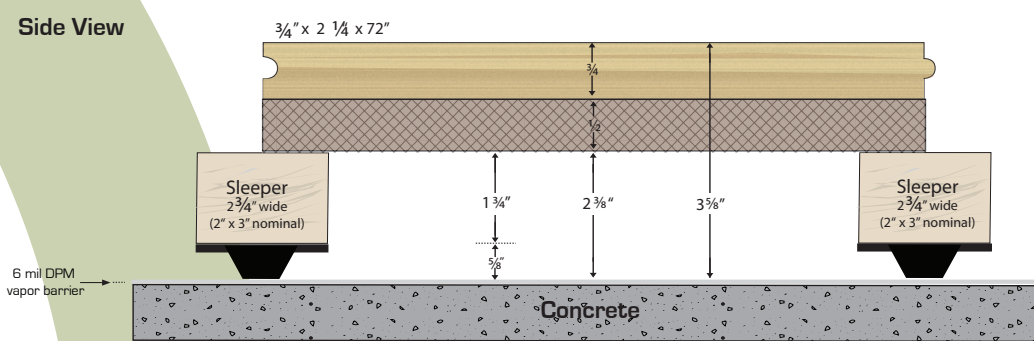
- SOFT TOUCH-Y
- MULTI-USE-W
- PRO-B



*Only use a DPM vapor barrier over a concrete subfloor

**Floating Resilient Sleeper + Panel
PS-3.625-CP**

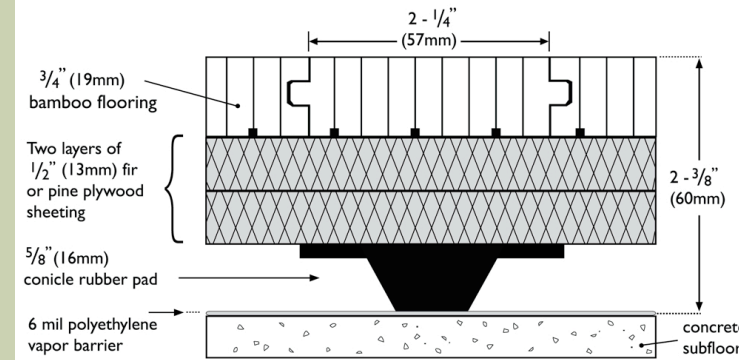
- SOFT TOUCH-Y
- MULTI-USE-W
- PRO-B



*Only use a DPM vapor barrier over a concrete subfloor

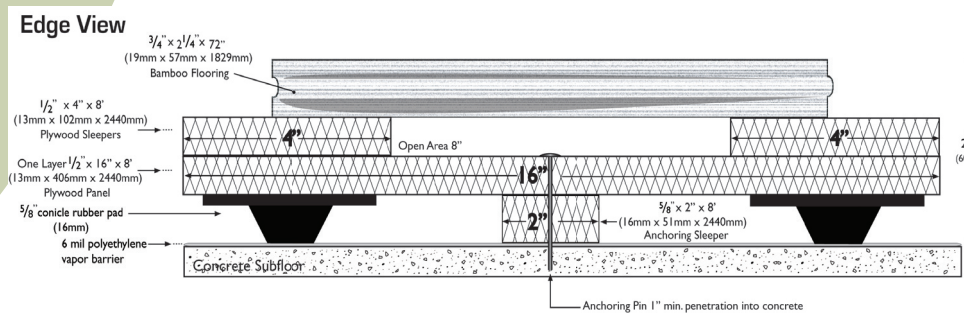
**Floating Resilient Panel
PS-1.875CP, PS-1.937-CP, PS-2.125-CP, PS-2.375-CP**

- SOFT TOUCH-Y
- MULTI-USE-W
- PRO-B



**Fixed Resilient Anchored
PS-2.125A-CP; PS-2.375A-CP**

- SOFT TOUCH-Y
- MULTI-USE-W
- PRO-B



**Fixed Resilient PlybooFit
PF-3472-1.0**

